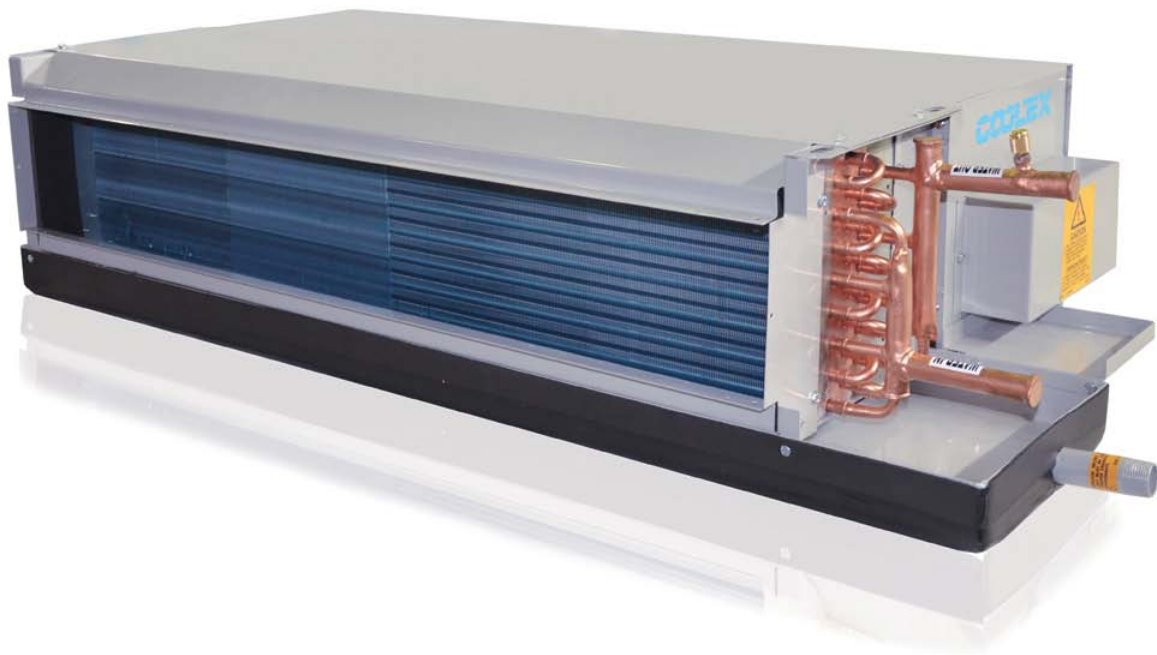


COOLEX

Fan Coil Series Low Static 200-1200 cfm



For more technical information please visit www.coolex.com.kw



Table of Contents

INTRODUCTION	2
NOMENCLATURE	2
STANDARD SPECIFICATIONS	3
OUT STANDING FEATURES	4
OPTIONAL SPECIFICATIONS	5
GENERAL DATA	6
SELECTION PROCEDURE	7
SUPPLY AIR PERFORMANCE	8
PERFORMANCE DATA TABLES	9
UNIT DIMENSIONS	12
WIRING DIAGRAMS	13
NOTES	14
CONTACT DETAILS	16

OTHER COOLEX PRODUCTS

- 1. Air Cooled Screw Water Chillers**
- 2. Air Cooled Package Units**
- 3. Air Handling Units**
- 4. Ducted Split Units**
- 5. Concealed Ducted Split**
- 6. Air Cooled Scroll Water Chillers**

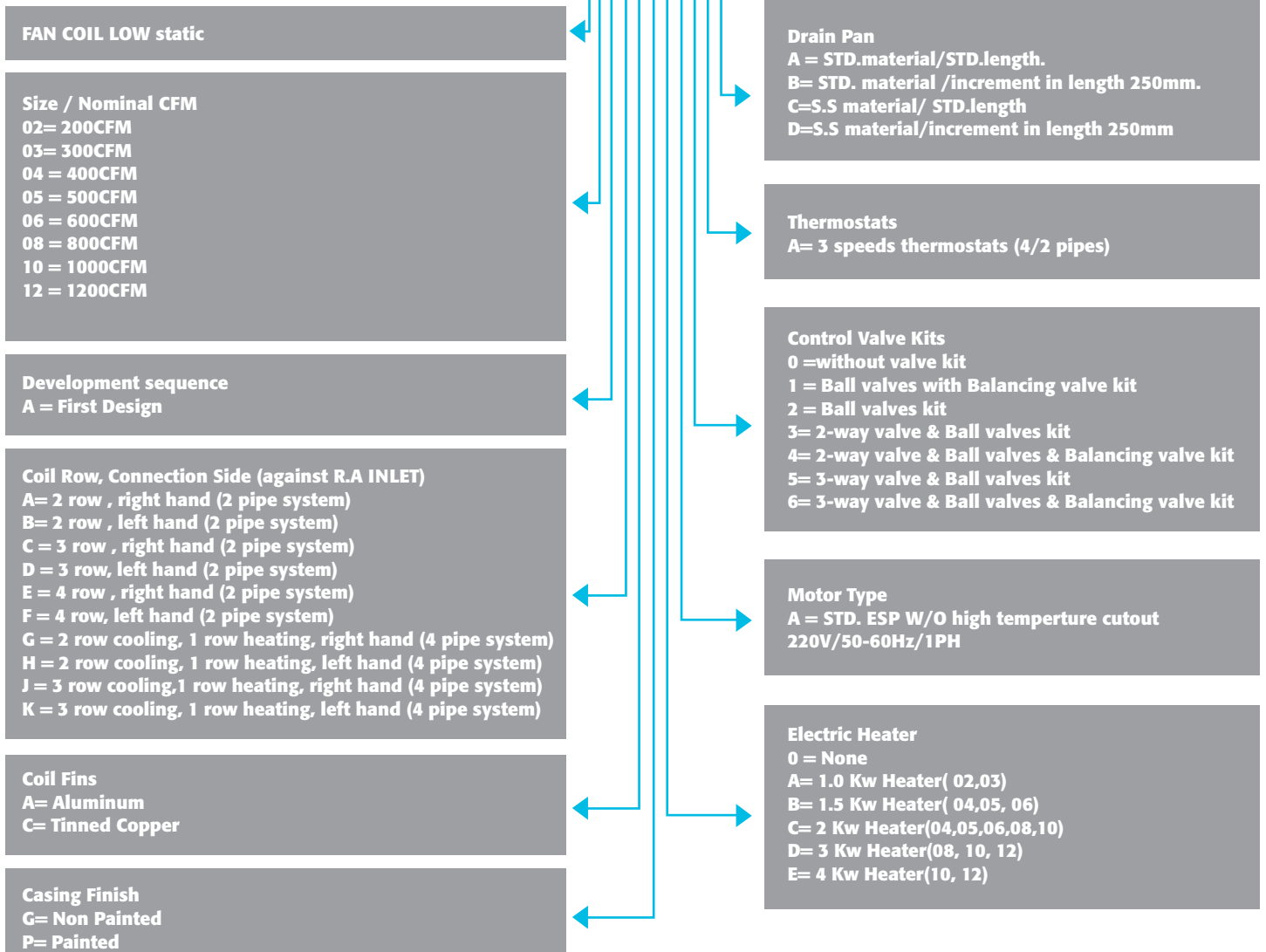
INTRODUCTION

COOLEX High Efficiency Low Static Fan Coil Units are highly efficient means of turning a water chiller, heat pump or hot water boiler into an efficient quiet air conditioning system with high performance, low

power consumption, easy installation "and low noise operation for both commercial and residential applications applications."

NOMENCLATURE

FCL 08 A D A G 0 0 0 A A



STANDARD SPECIFICATIONS

General

Fan coil units are provided with the latest advanced technology to provide quiet, reliable performance. Chilled water coils are designed to give optimum heat transfer efficiency. Units casings designed to provide easy accessibility for Chilled water coil and unit fan deck.

Unit Construction

Fan Coil unit consists of a coil, motor/blower assembly and a drain pan securely mounted on heavy gauge galvanized steel housing.

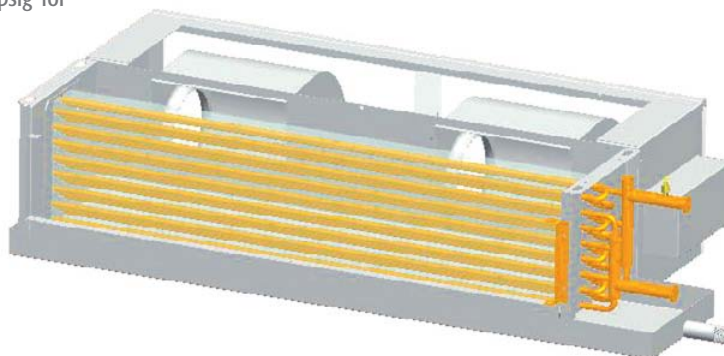
Evaporator Coils

High heat transfer efficiency coils are built up of ripple finned seamless copper tubes and mechanically bonded to scientifically design louvered fins.

The assembled coils are factory leak tested under water at a pressure of 350 psig for quality and leak free units.

Blower Assembly

The units are provided with new designed low speed and Wide impellers centrifugal fan which are statically and dynamically balanced, designed for low sound level operation



Drain Pan

Drain Pan is constructed from a one piece painted galvanized sheet metal welded carefully to protect from leakage.

The insulation shall be special designed to be perfect

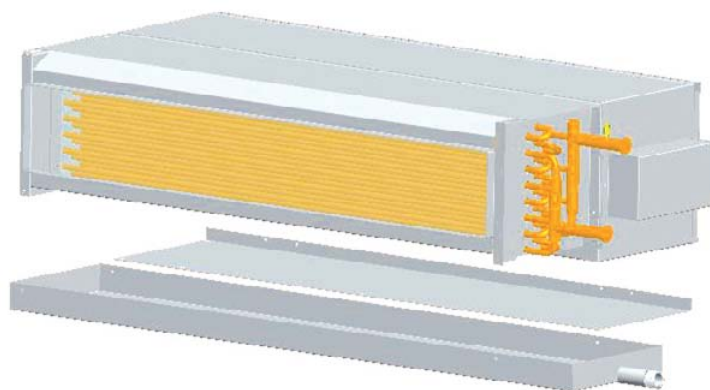
Blower Motor

Motors are of permanent split capacitor type of maximum efficiency and minimum noise with permanently lubricated, sealed sleeve bearings.

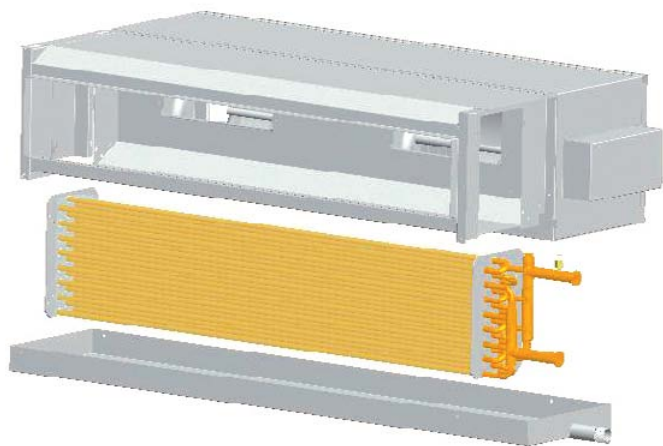
Smart construction design and insulation with good noise elimination effect make the unit most lowest noise level.

OUTSTANDING FEATURES

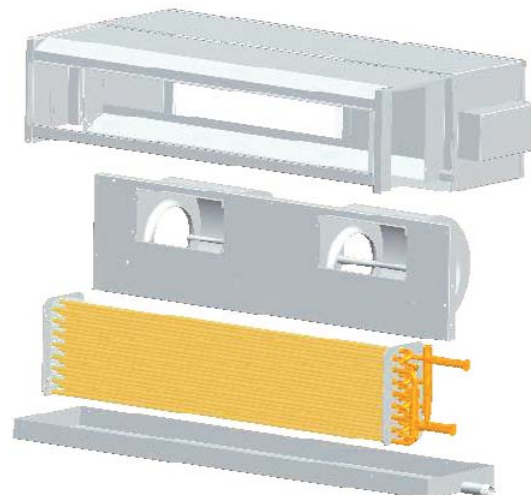
- Compact design
- Low profile
- Low sound power level
- For ducted & Ducts free applications
- 3 speed motors
- Easy maintenance
- Easy installation
- External terminal box



Bottom access for easy maintenance



Bottom Coil and drain pan removal



Bottom fan deck removal

OPTIONAL SPECIFICATIONS

Electric Heater

Finned Type Electric heater Following capacity range

kW	Model
1	FCL-02,03
1.5	FCL-04,05,06
2	FCL-04,05,06,08,10
3	FCL-08,10,12
4	FCL-10,12

Cooling Coil

- Available with 2 or 4 pipe arrangements for cooling & heating.
- With 3/4" connections Left or Right hand for more installation flexibility
- Tinned Copper fins

Drain Pan

- G.I extended 300 mm
- Stainless Steel extended 200 mm
- Stainless Steel extended 300 mm

Air Filters

- Nylon filter
- Washable Aluminum filter 1/2"

Casing

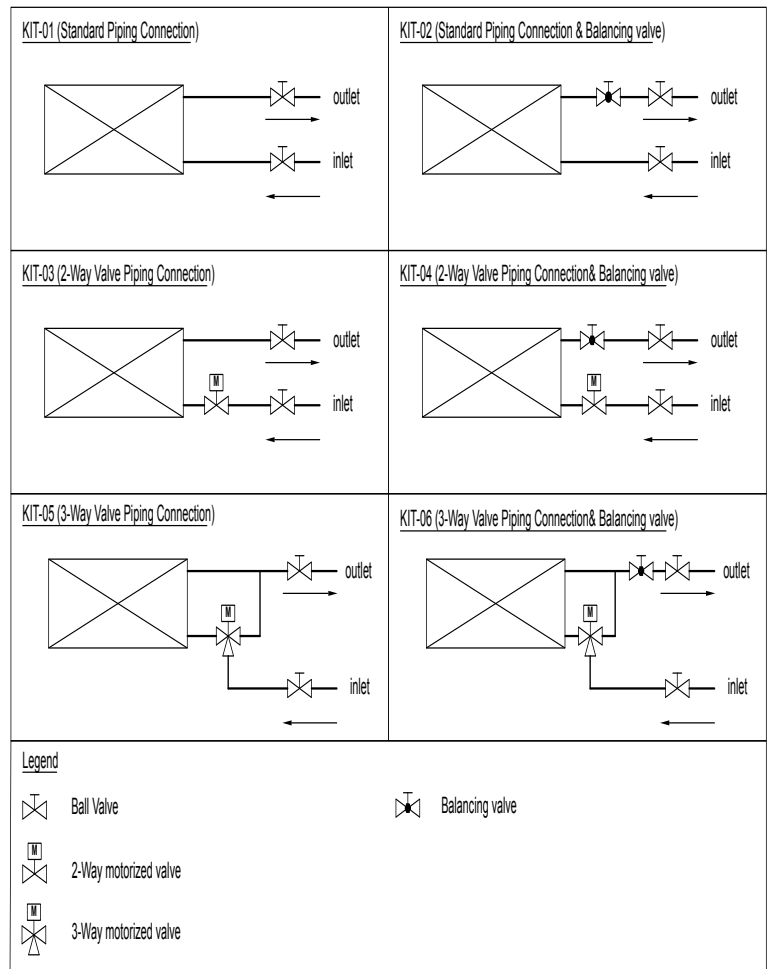
- Available with painted finishing

Thermostats

- Decorative wall mounted type Operating mode: cooling or heating Controlling valve packages & Electric heater

Control Valves

6 Kits of valves packages available for models flow contro as per illustrated diagrams



OPTIONAL SPECIFICATIONS

Thermostats

Micro-processor controlled thermostat with intelligent control algorithm (PID) Consequently, apart from the display of the room applications.

Temperature, the control quality is greatly enhanced in all applications



GENERAL DATA

Model		FCL-02	FCL-03	FCL-04	FCL-05	FCL-06	FCL-08	FCL-10	FCL-12
CFM	High speed	340	378	417	514	657	841	997	1155
	Medium Speed	310	340	354	439	602	777	912	997
	Low Speed	286	310	312	386	545	657	831	912
COILS	Face Area, ft²	1.44	1.44	1.44	1.94	1.94	1.94	3.44	3.44
	Connections, Sweat Type	3/4"							
	Air Vent	Manual and Furnished on All Coils							
	Fin Material	Aluminum							
	Fin Spacing, FPI	12							
	Tube Material	Copper							
	Test Pressure	350 psig							
	Maximum Working Pressure	200 psig							
FANS	Diameter, mm	160							
	Width, mm	200							
	Number Per Unit	1			2			3	
	Type	Double Width Double Inlet Forward Curved Directly Driven							
	Construction	Galvanized Steel - Dynamically Balanced							
	Housing	Galvanized Steel							
MOTORS	Watt (hp)	37 (1/20)			50 (1/15)		75 (1/10)	75 (1/10) / 37 (1/20)	
	Quantity	1						2	
Unit Operating Weight, kg		14			20			33	

SELECTION PROCEDURE

The below example illustrates the selection procedure to assist using this catalog to select the appropriate FCL unit that meets the design requirements.

Example :

Design requirements

- Total cooling capacity 19 [MBH]
- Sensible cooling capacity 13.5 [MBH]
- Air flow rate 700 [CFM]
- Entering Air temperature DB/WB 80/67 [°F/°F]
- Entering Water temperature 45 [°F]
- External static pressure 0.1 [in.wg]
- Altitude 2000 [ft]
- Power supply 220 V/ 50 Hz/ 1 PH

Altitude [ft]	Correction factor
Sea level	1
1000	0.996
2000	0.990
3000	0.984
4000	0.980
5000	0.974
6000	0.965
7000	0.960

From the performance Table:

*Using the correction factor table at the specified altitude, thereby the required capacity will be:

Corrected capacity = Required capacity /corr. factor

Corrected total capacity = 19000 (Btu/hr)/.99
= 19192 (Btu/hr)

Corrected sensible capacity = 13500 (Btu/hr)/.99
= 13636 (Btu/hr)

From supply air performance (page 8) & the cooling capacity data (page 9) the closest selection model to the required Capacity is FCL-08

Total capacity = 20189 [Btu/hr]

Sensible capacity = 14218 [Btu/hr]

SUPPLY AIR PERFORMANCE

Model	Speed	EXTERNAL STATIC PRESSURE (inch W.G)									
		0		0.05		0.1		0.15		0.2	
		CFM	WATT	CFM	WATT	CFM	WATT	CFM	WATT	CFM	WATT
FCL-02	HI	340	98	323	96	307	93	293	90	278	87
	MED	310	86	295	83	281	81	267	78	254	76
	LOW	286	77	272	75	259	72	246	70	235	68
FCL-03	HI	378	114	359	111	343	108	326	105	311	102
	MED	340	98	323	96	307	93	293	90	278	87
	LOW	310	86	295	83	281	81	267	78	254	76
FCL-04	HI	417	118	395	115	377	112	359	110	341	107
	MED	354	96	333	94	317	92	301	90	286	88
	LOW	312	81	297	79	282	78	268	76	255	74
FCL-05	HI	514	127	481	125	445	122	414	119	377	115
	MED	439	101	398	99	362	97	337	95	307	91
	LOW	386	84	344	83	316	81	294	79	267	77
FCL-06	HI	657	153	619	149	584	146	560	140	520	141
	MED	602	134	555	130	520	127	482	123	463	122
	LOW	545	118	508	115	469	112	435	109	404	106
FCL-08	HI	841	217	797	211	745	203	717	205	673	202
	MED	777	184	704	178	668	174	627	169	584	163
	LOW	657	153	619	149	584	146	560	140	520	141
FCL-10	HI	997	251	942	245	891	239	853	230	798	228
	MED	912	220	850	213	801	208	749	201	717	198
	LOW	831	195	780	190	728	184	682	179	638	174
FCL-12	HI	1155	298	1063	289	1011	282	953	274	895	265
	MED	997	251	942	245	891	239	853	230	798	228
	LOW	912	220	850	213	801	208	749	201	717	198

Notes:

1. CFM values are for Dry Coil conditions. Wet coils is 92% of Dry Coil CFM. Wet coil conditions occur when SH/TH ratio is 0.91 or less.
2. The above values include 3 Rows Cooling coil, & Nylon Air Filter.
3. For ESP other than listed in the above tables, contact manufacturer's representative.

PERFORMANCE DATA TABLES

2 Rows cooling coil

MODEL	Speed	0 ESP						0.1 ESP						0.2 ESP					
		Total Capacity		Sensible Capacity		gpm	WPD (Ft H ₂ O)	Total Capacity		Sensible Capacity		gpm	WPD (Ft H ₂ O)	Total Capacity		Sensible Capacity		gpm	WPD (Ft H ₂ O)
		Btu/hr	T.R	Btu/hr	T.R			Btu/hr	T.R	Btu/hr	T.R			Btu/hr	T.R	Btu/hr	T.R		
02	HI	8803	0.7	6249	0.5	1.80	5.83	7958	0.7	5649	0.5	1.62	5.27	7207	0.6	5116	0.4	1.47	4.77
	MED	8300	0.7	5865	0.5	1.57	5.27	7517	0.6	5311	0.4	1.42	4.77	6807	0.6	4810	0.4	1.28	4.32
	LOW	7822	0.7	5499	0.5	1.35	4.73	7084	0.6	4980	0.4	1.22	4.29	6415	0.5	4510	0.4	1.10	3.88
03	HI	9439	0.8	6743	0.6	1.80	6.59	8565	0.7	6119	0.5	1.63	5.98	7757	0.6	5541	0.5	1.48	5.42
	MED	8841	0.7	6281	0.5	1.80	5.89	7993	0.7	5678	0.5	1.62	5.32	7238	0.6	5142	0.4	1.47	4.82
	LOW	8265	0.7	5836	0.5	1.80	5.22	7485	0.6	5285	0.4	1.63	4.72	6779	0.6	4786	0.4	1.47	4.28
04	HI	10056	0.8	7228	0.6	1.80	7.37	9091	0.8	6535	0.5	1.62	6.66	8223	0.7	5911	0.5	1.47	6.03
	MED	9130	0.8	6508	0.5	1.80	6.25	8168	0.7	5822	0.5	1.61	5.59	7388	0.6	5266	0.4	1.45	5.06
	LOW	8304	0.7	5866	0.5	1.80	5.26	7511	0.6	5306	0.4	1.62	4.76	6794	0.6	4799	0.4	1.47	4.30
05	HI	10692	0.9	7874	0.7	2.24	1.46	9257	0.8	6817	0.6	1.94	1.26	7842	0.7	5775	0.5	1.65	1.07
	MED	9626	0.8	7051	0.6	2.01	1.22	7938	0.7	5814	0.5	1.66	1.01	6725	0.6	4926	0.4	1.41	0.85
	LOW	8623	0.7	6277	0.5	1.80	1.00	7050	0.6	5132	0.4	1.47	0.82	5972	0.5	4348	0.4	1.24	0.69
06	HI	12597	1.0	9396	0.8	2.69	1.95	11197	0.9	8352	0.7	2.39	1.73	9970	0.8	7437	0.6	2.13	1.54
	MED	11943	1.0	8872	0.7	2.49	1.83	10317	0.9	7664	0.6	2.15	1.58	9186	0.8	6824	0.6	1.92	1.40
	LOW	11127	0.9	8218	0.7	2.24	1.67	9575	0.8	7072	0.6	1.93	1.44	8240	0.7	6086	0.5	1.66	1.24
08	HI	14683	1.2	11109	0.9	3.14	2.56	13007	1.1	9841	0.8	2.78	2.27	11750	1.0	8890	0.7	2.51	2.05
	MED	14069	1.2	10605	0.9	3.01	2.38	12096	1.0	9117	0.8	2.59	2.05	10575	0.9	7971	0.7	2.26	1.79
	LOW	12597	1.0	9396	0.8	2.69	1.95	11197	0.9	8352	0.7	2.39	1.73	9970	0.8	7437	0.6	2.13	1.54
10	HI	24947	2.1	17813	1.5	4.94	10.51	22304	1.9	15926	1.3	4.41	9.39	19977	1.7	14264	1.2	3.95	8.41
	MED	23649	2.0	16804	1.4	4.73	9.58	20764	1.7	14754	1.2	4.15	8.41	18599	1.5	13216	1.1	3.72	7.54
	LOW	22165	1.8	15650	1.3	4.49	8.53	19418	1.6	13710	1.1	3.93	7.47	17022	1.4	12019	1.0	3.45	6.55
12	HI	27360	2.3	19722	1.6	5.39	12.36	23949	2.0	17263	1.4	4.71	10.82	21192	1.8	15276	1.3	4.17	9.58
	MED	25103	2.1	17944	1.5	4.85	10.66	22444	1.9	16043	1.3	4.34	9.53	20102	1.7	14369	1.2	3.89	8.54
	LOW	23565	2.0	16733	1.4	4.49	9.50	20690	1.7	14692	1.2	3.94	8.34	18533	1.5	13160	1.1	3.53	7.47

3 Rows cooling coil

MODEL	Speed	0 ESP						0.1 ESP						0.2 ESP					
		Total Capacity		Sensible Capacity		gpm	WPD (Ft H ₂ O)	Total Capacity		Sensible Capacity		gpm	WPD (Ft H ₂ O)	Total Capacity		Sensible Capacity		gpm	WPD (Ft H ₂ O)
		Btu/hr	T.R	Btu/hr	T.R			Btu/hr	T.R	Btu/hr	T.R			Btu/hr	T.R	Btu/hr	T.R		
02	HI	11116	0.9	7567	0.6	2.24	4.30	10050	0.8	6841	0.6	2.03	3.89	9101	0.8	6195	0.5	1.84	3.52
	MED	10414	0.9	7063	0.6	2.01	3.85	9431	0.8	6396	0.5	1.82	3.48	8541	0.7	5793	0.5	1.65	3.16
	LOW	9746	0.8	6583	0.5	1.80	3.41	8826	0.7	5962	0.5	1.63	3.09	7993	0.7	5399	0.4	1.47	2.80
03	HI	12013	1.0	8221	0.7	2.24	4.93	10901	0.9	7460	0.6	2.04	4.48	9872	0.8	6756	0.6	1.84	4.05
	MED	11172	0.9	7611	0.6	2.24	4.36	10100	0.8	6881	0.6	2.03	3.94	9147	0.8	6232	0.5	1.84	3.57
	LOW	10363	0.9	7024	0.6	2.24	3.80	9385	0.8	6361	0.5	2.03	3.44	8499	0.7	5761	0.5	1.84	3.12
04	HI	12890	1.1	8866	0.7	2.69	5.59	11654	1.0	8016	0.7	2.43	5.05	10541	0.9	7250	0.6	2.20	4.57
	MED	11583	1.0	7913	0.7	2.46	4.66	10362	0.9	7079	0.6	2.20	4.17	9373	0.8	6403	0.5	1.99	3.77
	LOW	10418	0.9	7064	0.6	2.24	3.84	9423	0.8	6390	0.5	2.03	3.47	8524	0.7	5779	0.5	1.84	3.14
05	HI	16285	1.4	11150	0.9	3.14	4.70	14099	1.2	9653	0.8	2.72	4.07	11944	1.0	8178	0.7	2.30	3.45
	MED	14670	1.2	9982	0.8	2.91	3.94	12097	1.0	8231	0.7	2.40	3.25	10248	0.9	6973	0.6	2.03	2.75
	LOW	13150	1.1	8883	0.7	2.69	3.23	10751	0.9	7262	0.6	2.20	2.64	9108	0.8	6152	0.5	1.87	2.23
06	HI	19336	1.6	13415	1.1	4.04	6.37	17188	1.4	11924	1.0	3.59	5.66	15304	1.3	10618	0.9	3.20	5.04
	MED	18285	1.5	12632	1.1	3.84	5.78	15794	1.3	10911	0.9	3.32	5.00	14063	1.2	9716	0.8	2.95	4.45
	LOW	16971	1.4	11654	1.0	3.59	5.06	14604	1.2	10029	0.8	3.09	4.35	12568	1.0	8631	0.7	2.66	3.75
08	HI	22790	1.9	16050	1.3	4.49	8.50	20189	1.7	14218	1.2	3.98	7.53	18237	1.5	12844	1.1	3.59	6.80
	MED	21774	1.8	15275	1.3	4.49	7.87	18720	1.6	13132	1.1	3.86	6.77	16366	1.4	11481	1.0	3.37	5.92
	LOW	19336	1.6	13415	1.1	4.49	6.37	17188	1.4	11924	1.0	3.99	5.66	15304	1.3	10618	0.9	3.55	5.04
10	HI	31953	2.7	21829	1.8	6.28	7.95	28568	2.4	19517	1.6	5.62	7.11	25587	2.1	17480	1.5	5.03	6.37
	MED	30122	2.5	20494	1.7	5.86	7.19	26448	2.2	17994	1.5	5.15	6.31	23690	2.0	16118	1.3	4.61	5.65
	LOW	28029	2.3	18967	1.6	5.39	6.31	24555	2.0	16616	1.4	4.72	5.53	21525	1.8	14566	1.2	4.14	4.85
12	HI	35405	3.0	24387	2.0	7.18	9.53	30991	2.6	21347	1.8	6.29	8.34	27424	2.3	18889	1.6	5.56	7.38
	MED	32187	2.7	22012	1.8	6.38	8.09	28777	2.4	19680	1.6	5.70	7.23	25774	2.1	17627	1.5	5.11	6.48
	LOW	29994	2.5	20394	1.7	5.83	7.11	26335	2.2	17906	1.5	5.12	6.24	23589	2.0	16039	1.3	4.59	5.59

Note: Data is based on 80/67°F (26.7/19.4°C) air on-coil DBT/WBT and 45/55 °F (7.2/12.78°C) entering/leaving water temperature

PERFORMANCE DATA TABLES

4 Rows cooling coil

MODEL	Speed	0 ESP						0.1 ESP						0.2 ESP					
		Total Capacity		Sensible Capacity		gpm	WPD (Ft H ₂ O)	Total Capacity		Sensible Capacity		gpm	WPD (Ft H ₂ O)	Total Capacity		Sensible Capacity		gpm	WPD (Ft H ₂ O)
		Btu/hr	T.R	Btu/hr	T.R			Btu/hr	T.R	Btu/hr	T.R			Btu/hr	T.R	Btu/hr	T.R		
02	HI	12676	1.1	8423	0.7	2.69	3.27	11460	1.0	7615	0.6	2.43	2.95	10378	0.9	6896	0.6	2.20	2.68
	MED	11814	1.0	7829	0.7	2.46	2.90	10699	0.9	7090	0.6	2.23	2.62	9690	0.8	6421	0.5	2.02	2.38
	LOW	10995	0.9	7264	0.6	2.24	2.54	9957	0.8	6578	0.5	2.03	2.30	9018	0.8	5958	0.5	1.84	2.09
03	HI	13786	1.1	9198	0.8	2.69	3.79	12510	1.0	8346	0.7	2.44	3.44	11329	0.9	7559	0.6	2.21	3.11
	MED	12749	1.1	8477	0.7	2.69	3.31	11526	1.0	7663	0.6	2.43	3.00	10438	0.9	6940	0.6	2.20	2.71
	LOW	11750	1.0	7782	0.6	2.69	2.86	10641	0.9	7048	0.6	2.44	2.59	9637	0.8	6382	0.5	2.21	2.34
04	HI	14879	1.2	9968	0.8	3.14	4.34	13452	1.1	9012	0.8	2.84	3.92	12167	1.0	8151	0.7	2.57	3.54
	MED	13260	1.1	8837	0.7	2.67	3.57	11863	1.0	7906	0.7	2.39	3.19	10730	0.9	7151	0.6	2.16	2.89
	LOW	11817	1.0	7829	0.7	2.24	2.89	10689	0.9	7082	0.6	2.03	2.61	9668	0.8	6405	0.5	1.84	2.36
05	HI	18687	1.6	12474	1.0	3.59	4.05	16178	1.3	10799	0.9	3.11	3.50	13706	1.1	9149	0.8	2.63	2.97
	MED	16711	1.4	11102	0.9	3.36	3.35	13780	1.1	9154	0.8	2.77	2.76	11674	1.0	7755	0.6	2.35	2.34
	LOW	14852	1.2	9810	0.8	3.14	2.70	12142	1.0	8020	0.7	2.57	2.21	10287	0.9	6794	0.6	2.18	1.87
06	HI	22479	1.9	15172	1.3	4.49	5.60	19981	1.7	13486	1.1	3.99	4.98	17792	1.5	12008	1.0	3.55	4.43
	MED	21170	1.8	14238	1.2	4.29	5.05	18286	1.5	12299	1.0	3.70	4.37	16282	1.4	10951	0.9	3.30	3.89
	LOW	19534	1.6	13072	1.1	4.04	4.37	16810	1.4	11249	0.9	3.48	3.76	14466	1.2	9681	0.8	2.99	3.24
08	HI	26825	2.2	18340	1.5	5.39	7.65	23763	2.0	16246	1.4	4.77	6.77	21466	1.8	14676	1.2	4.31	6.12
	MED	25547	2.1	17408	1.5	5.12	7.04	21963	1.8	14966	1.2	4.40	6.06	19201	1.6	13084	1.1	3.85	5.30
	LOW	22479	1.9	15172	1.3	4.49	5.60	19981	1.7	13486	1.1	3.99	4.98	17792	1.5	12008	1.0	3.55	4.43
10	HI	36869	3.1	24532	2.0	7.18	6.16	32963	2.7	21933	1.8	6.42	5.51	29524	2.5	19645	1.6	5.75	4.93
	MED	34601	2.9	22948	1.9	6.76	5.53	30380	2.5	20149	1.7	5.94	4.85	27212	2.3	18048	1.5	5.32	4.35
	LOW	32007	2.7	21137	1.8	6.28	4.81	28040	2.3	18517	1.5	5.50	4.21	24580	2.0	16232	1.4	4.83	3.69
12	HI	41193	3.4	27596	2.3	8.08	7.49	36057	3.0	24155	2.0	7.07	6.56	31907	2.7	21375	1.8	6.26	5.80
	MED	37174	3.1	24759	2.1	7.28	6.29	33235	2.8	22136	1.8	6.51	5.62	29768	2.5	19826	1.7	5.83	5.03
	LOW	34435	2.9	22826	1.9	6.73	5.46	30234	2.5	20041	1.7	5.91	4.80	27082	2.3	17952	1.5	5.29	4.30

Notes: Data is based on 80/67°F (26.7/19.4°C) air on-coil DBT/WBT and 45/55 °F (7.2/12.78°C) entering/leaving water temperature

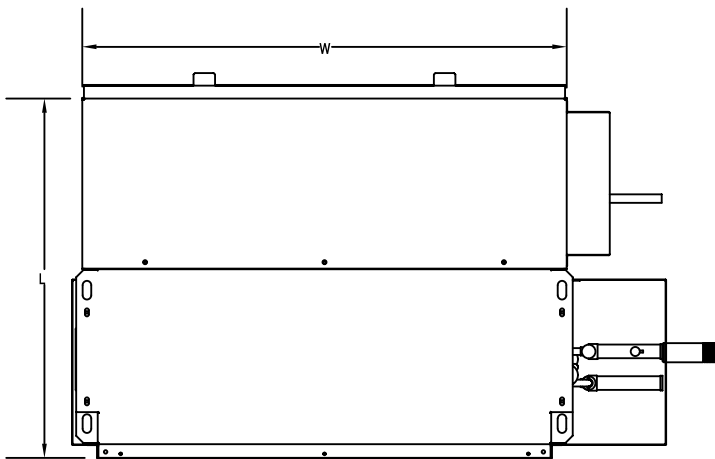
PERFORMANCE DATA TABLES

1 Rows Heating coil

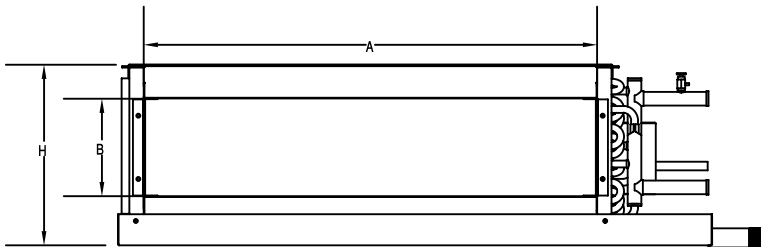
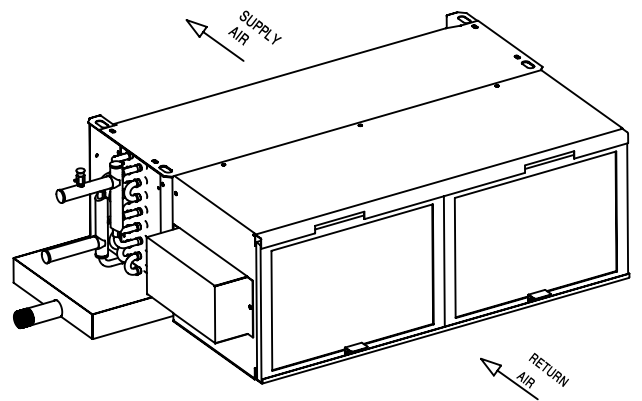
MODEL	Speed	0 ESP			0.1 ESP			0.2 ESP		
		Total Capacity	gpm	WPD (Ft H ₂ O)	Total Capacity	gpm	WPD (Ft H ₂ O)	Total Capacity	gpm	WPD (Ft H ₂ O)
		Btu/hr			Btu/hr					
02	HI	16821	1.72	13.68	15207	1.55	12.37	13772	1.41	11.20
	MED	15824	1.71	12.29	14331	1.55	11.13	12978	1.40	10.08
	LOW	14995	1.69	11.18	13580	1.53	10.12	12298	1.39	9.17
03	HI	18028	1.78	15.45	16359	1.62	14.02	14815	1.46	12.70
	MED	16821	1.73	13.68	15207	1.56	12.37	13772	1.42	11.20
	LOW	15824	1.72	12.29	14331	1.56	11.13	12978	1.41	10.08
04	HI	19208	1.80	17.28	17366	1.62	15.62	15707	1.47	14.13
	MED	17272	1.76	14.33	15452	1.57	12.82	13977	1.42	11.60
	LOW	15892	1.72	12.38	14375	1.56	11.20	13002	1.41	10.13
05	HI	23975	2.24	4.55	20757	1.94	3.94	17585	1.65	3.34
	MED	21630	2.12	3.80	17836	1.75	3.13	15111	1.48	2.65
	LOW	19860	1.98	3.27	16236	1.62	2.67	13755	1.37	2.26
06	HI	28034	2.69	5.99	24919	2.39	5.32	22188	2.13	4.74
	MED	26529	2.52	5.44	22915	2.18	4.70	20404	1.94	4.18
	LOW	24898	2.47	4.86	21426	2.13	4.18	18439	1.83	3.60
08	HI	32651	3.14	7.83	28924	2.78	6.94	26129	2.51	6.27
	MED	31110	3.00	7.20	26746	2.58	6.19	23383	2.25	5.41
	LOW	28034	2.69	5.99	24919	2.39	5.32	22188	2.13	4.74
10	HI	44660	4.49	3.11	39929	4.01	2.78	35763	3.59	2.49
	MED	42176	4.22	2.81	37031	3.71	2.47	33170	3.32	2.21
	LOW	39705	4.04	2.56	34784	3.54	2.24	30492	3.10	1.97
12	HI	49017	4.94	3.66	42906	4.32	3.20	37967	3.82	2.84
	MED	44660	4.49	3.11	39929	4.01	2.78	35763	3.59	2.49
	LOW	42176	4.22	2.81	37031	3.71	2.47	33170	3.32	2.21

Note: Data is based on 70°F (21°C) air on-coil DBT and 180/160°F (82/71°C) entering/leaving water temperature

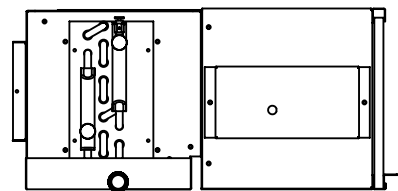
UNIT DIMENSIONS



TOP VIEW



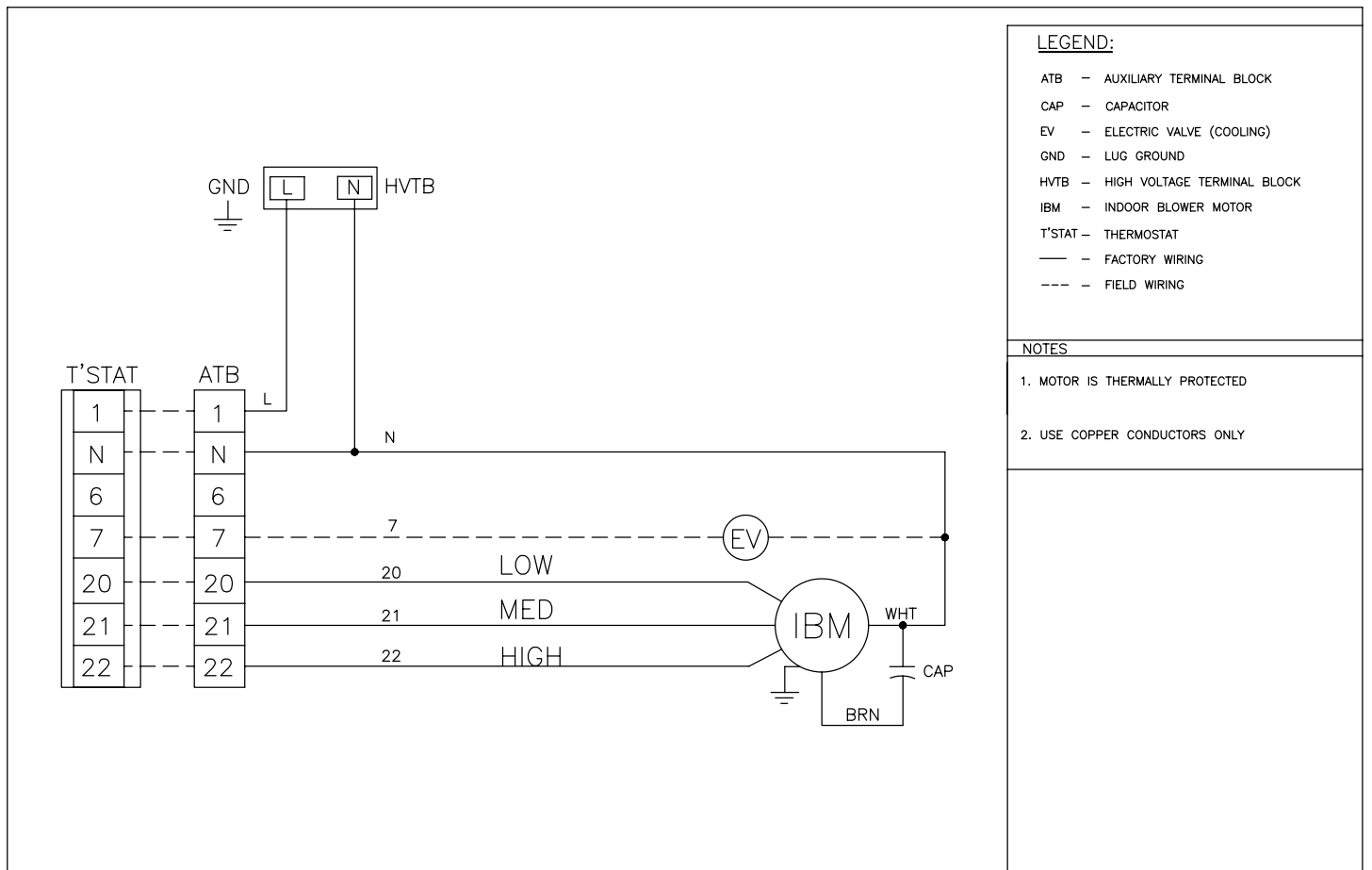
FRONT VIEW



SIDE VIEW

MODEL	DIMENSIONS			
	L	W	H	DUCTCOWN AX5
FCL-02	500	675	252	632 X 136
FCL-03	500	675	252	632 X 136
FCL-04	500	675	252	632 X 136
FCL-05	500	947	252	904 X 136
FCL-06	500	947	252	904 X 136
FCL-08	500	947	252	904 X 136
FCL-10	500	1600	252	1560 X 136
FCL-12	500	1600	252	1560 X 136
ALL DIMENSIONS ARE IN MM				

WIRING DIAGRAM



About RIC

Refrigeration Industries Company (KSE 504) is a group holding company with diversified interests in manufacturing, contracting and services. Recognized regionally for our engineering capabilities and management excellence, RIC and its subsidiaries offer a wide range of high quality products and services that cater to both residential and commercial customers, in the areas of climate control technologies and specialized storage solutions.

In view of the growing Kuwait infrastructure and the limitations imposed on it by the country's arid climate, the Refrigeration Industries Company was established 40 years ago in 1973, by Amiri Decree. The company's operations began with the construction of the first cold stores in the region, to enable the storage of the imported foods, on which Kuwait relied. Along with the development and advancement of the country, so has RIC prospered and expanded, and is now a milestone in the history of modern Kuwait.

RIC takes pride in its successful record and the many accolades it has garnered over time, but the greatest achievement has been the provision of comfort and protection from the harsh climate, to the people of Kuwait.

More than 40 years of uninterrupted service, overcoming extreme weather conditions, war, economic recessions and ever increasing competition, is testimony to the fact that RIC has met the expectations and responsibilities that was envisioned at the beginning and also highlights the tenacity and vision to exceed them in the future.

Facts throughout the years

- 1973 Warehouses were established by Amiri Decree.
- 1979 RIC Constructed the Medical Cold Stores Complex, the world's largest at that time.
- 1980 RIC Air Conditioning manufacturing plant set up in Sulaihya.
- 1981 Production of Package & Mini-Split A/Cs started under York-Gulf.
- 1984 RIC was listed in Kuwait Stock Exchange.
- 1986 COOLEX brand Production Launched.
- 1991 RIC rebuilt the manufacturing plant destroyed during the war.
- 1997 Achieved ISO Certification ISO 9001:1994.
- 2002 ETL Designed testing lab became fully operational.
- 2004 Privatization of RIC.
- 2010 COOLEX becomes the first A/C Unit to Pass MEW's new regulations.
- 2010 RIC Factory Renovation and Expansion into neighboring countries.
- 2012 Achieved UL & AHRI Certification for Coolex Units.
- 2014 Achieved SASO Certification for Concealed Ducted Split Series.
- 2014 Achieved EUROVENT Certification for Air Handling Units AHU.
- 2014 Achieved UL Certification for Air Cooled Chillers.

نبذة عن الشركة

شركة صناعات التبريد (متداولة في سوق الكويت للأوراق المالية برقم 504) هي شركة متنوعة الأنشطة تعمل في مجال التصنيع والمقاولات والخدمات. ونحن نقدم مجموعة كبيرة من المنتجات والخدمات والحلول التقنية في مجال مواجهة الظروف المناخية وحلول التخزين. وقد حازت الشركة على إعراف إقليمي بقدراتها الهندسية وكفاءتها الإدارية.

شركة صناعات التبريد هي مجموعة شركات تهدف إلى توفير أعلى مستويات الجودة من حيث المنتجات والخدمات التي تلبي احتياجات عملائها السكنية والتجارية. وعلى مدى أربعين عاماً مضت على إنشاء شركتنا فقد إستطعنا أن نوطد أقدامنا في جميع قطاعات السوق الكويتي. ونحن إذ نفتخر بالإنجازات التي حققناها، إلا أننا أشد فخراً بأننا تمكنا من الوقوف إلى جانب أهل الكويت على مدى سنوات طويلة في مواجهة تقلبات الظروف المناخية القاسية سواء من حيث درجات الحرارة العالية أو الأتربة أو الرطوبة.

وباعتبارها إحدى الشركات الصناعية العاملة في دولة الكويت، فقد واجهت الشركة تحديات وأمال كبيرة في سعيها لتحقيق النجاح، وقد كانت الشركة - ولا تزال - معلماً من المعالم المهمة في نظر أهل الكويت لما قدمته من منتجات وخدمات إستطاعت أن تغير الطبيعة القاسية لمناخ الكويت. فبعد نحو 40 عاماً تقريباً، لا يزال السؤال مطروحا حول تحقيقنا لهذه التوقعات، فهل إستطاعت الشركة أن تتحمل مسؤولياتها على الوجه الأكمل؟ ويأتي الرد بالإيجاب، فعلى مدى أربعين عاماً تقريباً لم تتوقف الشركة خلالها عن الإستمرار في تقديم خدماتها وأعمالها رغم الصعوبات التي تمثلت في ظروف الطقس القاسية أو الحروب أو الكساد الاقتصادي أو إرتفاع حدة المنافسة، فقد كانت كل واحدة من هذه الظروف بمثابة شهادة على أننا حققنا ما وعدنا به وما عقدنا العزم على تنفيذه.

حقائق وتواريخ

- 1973 تم إنشاء المستودعات بناء على مرسوم أميري.
- 1979 عهدت وزارة الصحة الكويتية لشركة صناعات التبريد بإنشاء مجمع مستودعات مخازن التبريد العلبية، وقد كان هذا المجمع حينها هو الأضخم من نوعه على مستوى العالم، وقد وصلت تكلفته إلى 12,000,000 دينار كويتي.
- 1980 تم إنشاء مصنع مكيفات الهواء التابع لشركة صناعات التبريد في الصليبية.
- 1981 بدء إنتاج أجهزة التكييف المدمجة والمنفصلة الصغيرة تحت علامة York-Gulf.
- 1984 تم قيد شركة صناعات التبريد في سوق الكويت للأوراق المالية.
- 1986 بدء إنتاج مكيفات علامة كولكس.
- 1991 قامت شركة صناعات التبريد بإعادة بناء مصنعها الذي دمرته الحرب.
- 1997 الحصول على شهادة الأيزو 9001:1994.
- 2002 بدء تشغيل مختبر فحص وحدات التكييف (ETL).
- 2004 خصخصة شركة صناعات التبريد.
- 2010 كانت وحدات كولكس أول وحدات تكييف هواء تجتاز اللوائح التي أقرتها (وزارة الكهرباء والماء).
- 2010 تم تجديد مصنع شركة صناعات التبريد وبدء التوسع والتصدير إلى الدول المجاورة.
- 2012 الحصول على شهادة UL و AHRI لأجهزة التكييف كولكس.
- 2014 الحصول على شهادة SASO لأجهزة التكييف المنفصلة.
- 2014 الحصول على شهادة EUROVENT لأجهزة مناولة الهواء.
- 2014 الحصول على شهادة UL لمبردات الهواء الشيلر.

NOTES

Coollex Distributors

United Arab Emirates UAE

Obaid Humaid Al-Tayer Engineering Division Al Tayer Group

Address: Dubai – UAE, PO Box 2623
Tel : +971 4 2011272
Fax : +971 4 2825008
Mobile : +971 50 3500747
Email : bkrishnan@altayer-eng.com
Website : www.altayer.com

Kingdom of Saudi Arabia KSA

Al-Etmad for Refrigeration and Air Conditioning Industries Company

Address: Al Qortobah Quartier, King Abdullah Road
Riyadh – KSA, P.O. Box 50467 Riyadh 11533
Tel : + 966 11 2447789
Fax : + 966 11 4958812
Mobile : + 966 560034240
Email : abunaif722@ksacoollex.com
Website : www.Coollex.co

Republic of Iraq

SWEER Company Limited

Address: Al Senak -Jumhuria Street - Baghdad-Iraq
P.O. Box: 8095
Tel : +964 1 8181196
Mobile : +964 7705 884444
Email : sweerco@yahoo.com
Website : www.sweerco.com

State of Qatar

Darwish Trading Company W.L.L

Address: P.O.Box 92 Doha - Qatar
Direct : +974 4468 3951
Tel : +974 4468 3950
Fax : +974 4468 5681
Email : acvr@darwish-tdg.qa
Email : dtcaircondi@darwish-tdg.qa
Website : http://www.darwish-trading.com

Sultanate of Oman

Al Noor Projects Engineering & Trading Company

Address: Third Floor, Oman House
P.O. Box: 1047, P.C: 114 Hay Al Mina - Muscat
Tel : +968 24709402/403
Fax : +968 24709401
Email : info@alnoorprojects.com
Email : gm@alnoorprojects.com
Website : www.alnoorprojects.com

Kingdom of Bahrain

Y.K. Almoayyed & Sons

Address: EHAD – Project Department, Sehla Workshop
P.O. Box 143, Manama, Kingdom of Bahrain
Tel : +973 17 400 444, Extn. 205
Direct : +973 17 405 250
Fax : +973 17 400 388
Email : Pradeep@almoayyed.com.bh
Email : ac@almoayyedcg.com
Website : www.almoayyed.com

Turkey

CS GROUP

Address : Küçükyalı, Altıntepe Mah.
Galıpbey Cad. CS Plaza,
No: 127 34840 Maltepe-Istanbul Turkey
Tel : +90 216 388 85 50
Fax : +90 216 388 86 90
Call Center: +90 444 44 91
Email : info@csgroup.com.tr
Website : www.csgroup.com.tr

Iran

Capital ICEBERG Limited Company

Address: No. 31, 3rd Floor, Aghdasieyh Trade Center
Aghdasieyh Street. Tehran – Iran
Tel : +98 (021) 26110510
Fax : +98 (021) 26110510
Mobile : +98 912 119 2961
Email : info@capitaliceberg.com
Email : saeed.s@capitaliceberg.com
Email : sara.s@capitaliceberg.com
Website : www.capitaliceberg.com

Please contact Sales and Marketing Department
sales@ric.com.kw or www.coollex.com.kw for
specific information on the current design and
specifications. Ref no.: CFL15-5-000

CENTRAL AIR CONDITIONING AND SPLIT UNIT
Coollex continuously works towards the improvement of
its products. Hence, the design and specifications of the
ordered product may vary without prior notice.



www.coolex.com.kw

